

Estrumetal
Estructuras metálicas

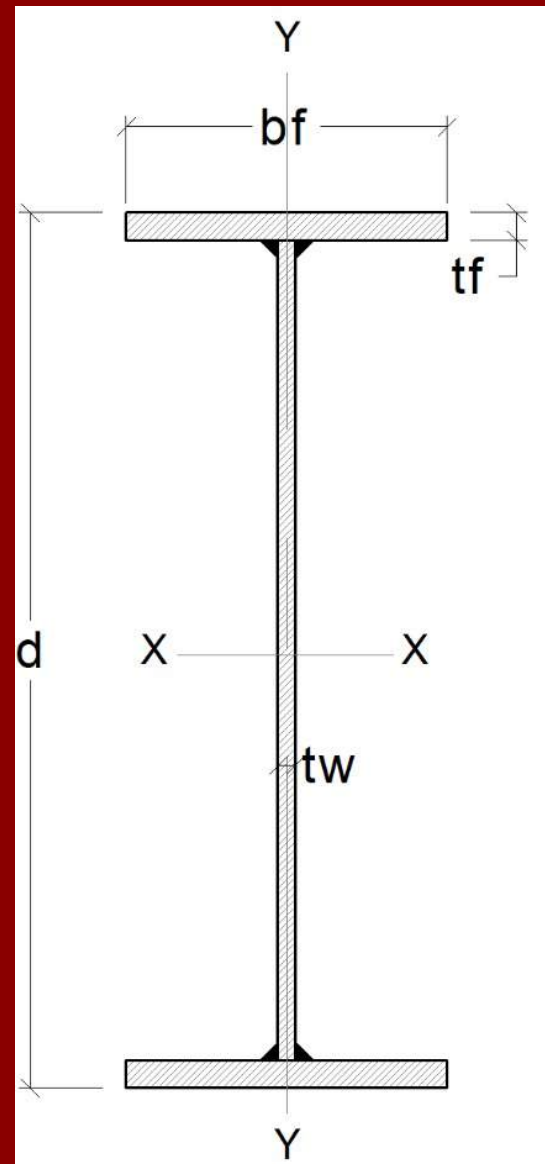
PERFILES ARMADOS ESTRUMETAL PAE

PERFILES
PAE

EQUIVALENTES
A

PERFILES
IPE/HEA/HEB





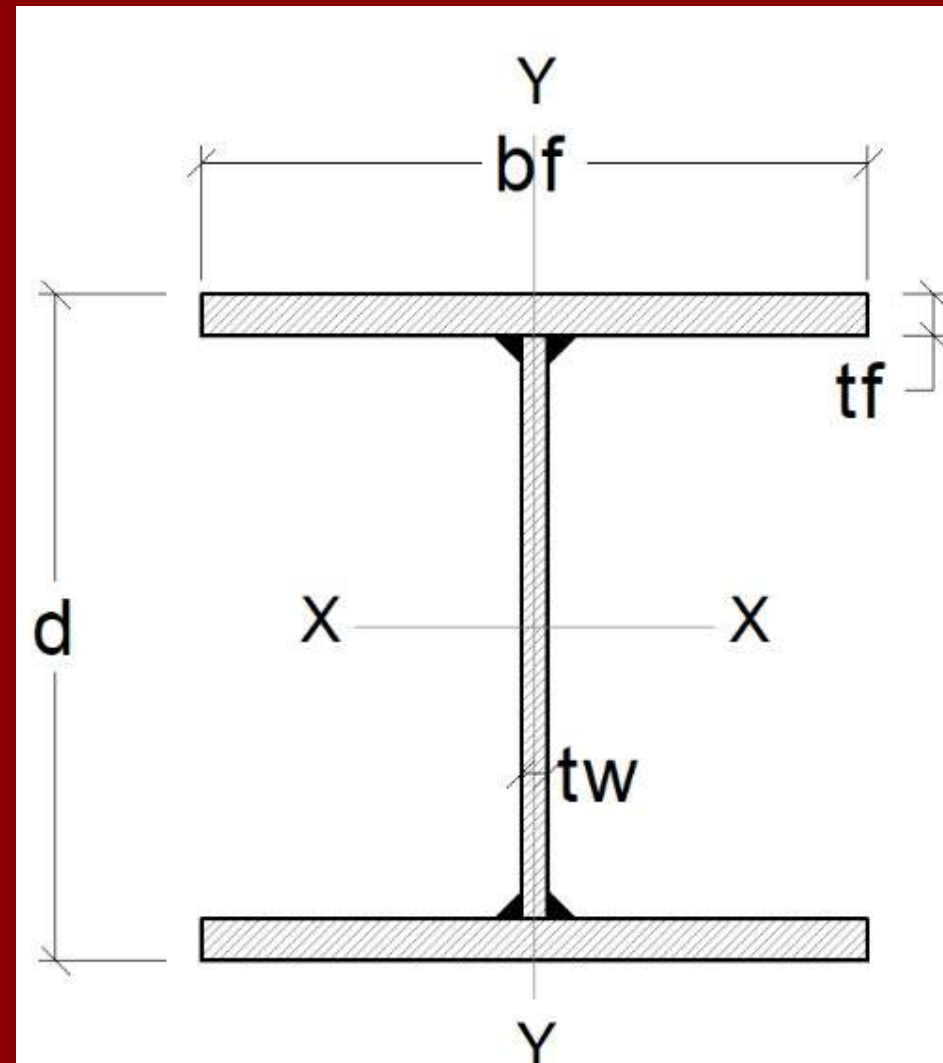
Nomenclatura

d: Altura total del perfil
tw: Ancho de los patines
tf: Espesor de los patines

TABLA DE PERFILES ARMADOS ESTRUMETAL

PAE CON PROPIEDADES MECANICAS EQUIVALENTES A LOS
PERFILES TIPO IPE - NORMA EUROPEA - Acero ASTM A572 Gr.50

PERFIL	d (mm)	tw (mm)	bf (mm)	tf (mm)	Peso (Kg/m)	As (cm ²)	Ix-x (cm ⁴)	Iy-y (cm ⁴)	rx (cm)	ry (cm)	Sx (cm ³)	Sy (cm ³)	Zx (cm ³)	Zy (cm ³)
IPE270	270	7	135	10	36.1	45.9	5,790.0	420.0	11.2	3.0	429.0	62.2	460.5	95.8
PAE283X6X148X9	283	6	148	9	33.4	42.5	5,932.3	486.7	11.8	3.4	419.2	65.8	470.3	101.1
IPE300	300	7	150	11	42.2	53.8	8,360.0	604.0	12.5	3.4	557.0	80.5	602.1	124.1
PAE324X6X148X12	324	6	148	12	42.0	53.5	9,998.4	648.9	13.7	3.5	617.2	87.7	689.1	134.3
IPE330	330	8	160	12	49.1	62.6	11,770.0	788.0	13.7	3.5	713.0	98.5	762.8	151.8
PAE366X6X170X12	366	6	170	12	48.1	61.3	14,787.2	983.2	15.5	4.0	808.0	115.7	897.6	176.6
IPE360	360	8	170	13	57.1	72.7	16,270.0	1,040.0	15.0	3.8	904.0	123.0	973.7	189.2
PAE366X8X183X12	366	8	183	12	56.0	71.3	16,431.7	1,227.2	15.2	4.1	897.9	134.1	1,011.3	206.7
IPE400	400	9	180	14	66.3	84.5	23,120.0	1,320.0	16.5	4.0	1,160.0	146.0	1,238.3	226.0
PAE430X6X183X15	430	6	183	15	61.9	78.9	26,848.2	1,532.8	18.4	4.4	1,248.8	167.5	1,379.2	254.9
IPE450	450	9	190	15	77.6	98.8	33,740.0	1,680.0	18.5	4.1	1,500.0	176.0	1,623.9	273.3
PAE495X8X199X15	495	8	199	15	76.1	96.9	41,101.4	1,972.1	20.6	4.5	1,660.7	198.2	1,865.3	304.8
IPE500	500	10	200	16	90.7	116.0	48,200.0	2,140.0	20.4	4.3	1,930.0	214.0	2,107.3	332.8
PAE511X8X239X15	511	8	239	15	86.5	110.2	51,530.8	3,415.0	21.6	5.6	2,016.9	285.8	2,240.9	436.5
IPE550	550	11	210	17	106.0	134.0	67,120.0	2,670.0	22.4	4.5	2,440.0	254.0	2,662.2	396.0
PAE632X9X239X15	632	9	239	15	98.8	125.9	84,614.5	3,416.6	25.9	5.2	2,677.7	285.9	3,027.4	441.1
IPE600	600	12	220	19	122.0	156.0	92,080.0	3,387.0	24.3	4.7	3,069.0	308.0	3,376.1	481.2
PAE640X9X239X19	640	9	239	19	113.8	145.0	103,949.7	4,326.8	26.8	5.5	3,248.4	362.1	3,635.4	555.4



Nomenclatura

d: Altura total del perfil

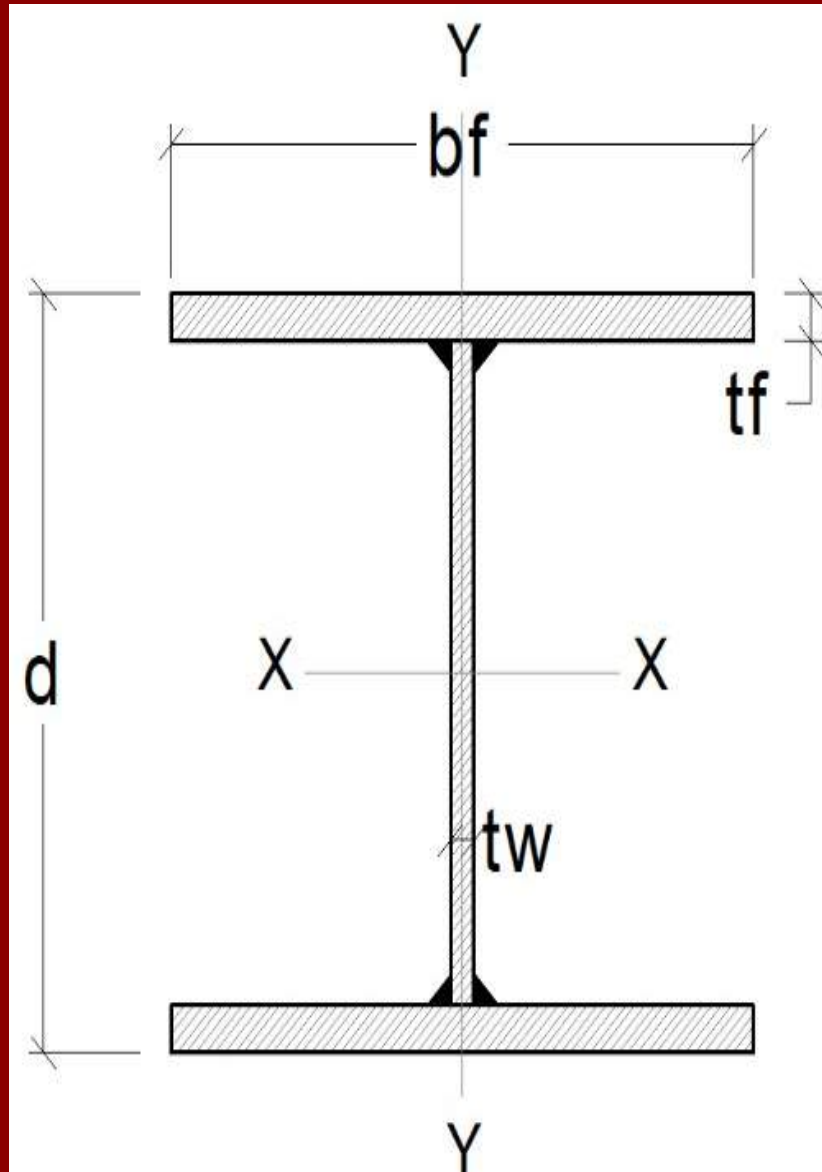
tw: Ancho de los patines

tf: Espesor de los patines

TABLA DE PERFILES ARMADOS ESTRUMETAL

PAE CON PROPIEDADES MECANICAS EQUIVALENTES A LOS
PERFILES TIPO HEA - NORMA EUROPEA - Acero ASTM A572 Gr.50

PERFIL	d (mm)	tw (mm)	bf (mm)	tf (mm)	Peso (Kg/m)	As (cm ²)	Ix-x (cm ⁴)	Iy-y (cm ⁴)	rx (cm)	ry (cm)	Sx (cm ³)	Sy (cm ³)	Zx (cm ³)	Zy (cm ³)
HEA240	230	8	240	12	60.3	76.8	7,760.0	2,770.0	10.1	6.0	675.0	231.0	707.4	348.7
PAE240X8X239X12	240	8	239	12	58.6	74.6	8,133.2	2,731.3	10.4	6.0	677.8	228.6	747.2	346.5
HEA260	250	8	260	13	68.2	86.8	10,450.0	3,670.0	11.0	6.5	836.0	282.0	866.8	425.9
PAE263X8X265X12	263	8	265	12	64.9	82.7	10,934.9	3,722.9	11.5	6.7	831.6	281.0	912.4	425.5
HEA280	270	8	280	13	76.4	97.3	13,670.0	4,760.0	11.9	7.0	1,010.0	340.0	1,054.6	513.8
PAE289X8X300X12	289	8	300	12	73.2	93.2	15,060.5	5,401.1	12.7	7.6	1,042.2	360.1	1,137.7	544.5
HEA300	290	9	300	14	88.3	112.0	18,260.0	6,310.0	12.8	7.5	1,260.0	421.0	1,305.1	635.1
PAE295X8X300X15	295	8	300	15	87.3	111.2	18,897.5	6,751.1	13.0	7.8	1,281.2	450.1	1,400.5	679.6
HEA320	310	9	300	16	97.6	124.0	22,930.0	6,990.0	13.6	7.5	1,480.0	466.0	1,544.6	703.6
PAE330X9X342X15	330	9	342	15	101.7	129.6	27,495.5	10,002.2	14.6	8.8	1,666.4	584.9	1,818.5	883.8
HEA340	330	10	300	17	105.0	133.0	27,690.0	7,436.0	14.4	7.5	1,678.0	496.0	1,761.3	749.8
PAE338X8X300X19	338	8	300	19	108.3	138.0	30,836.2	8,551.3	14.9	7.9	1,824.6	570.1	1,998.3	860.3
HEA360	350	10	300	18	112.0	143.0	33,090.0	7,887.0	15.2	7.4	1,891.0	526.0	1,993.7	796.1
PAE380X8X300X19	380	8	300	19	111.0	141.4	39,842.6	8,551.5	16.8	7.8	2,097.0	570.1	2,291.6	860.9
HEA400	390	11	300	19	125.0	159.0	45,070.0	8,564.0	16.8	7.3	2,311.0	571.0	2,455.4	866.6
PAE438X9X300X19	438	9	300	19	117.8	150.0	54,869.2	8,552.4	19.1	7.6	2,505.4	570.2	2,748.3	863.7
HEA450	440	12	300	21	140.0	178.0	63,720.0	9,465.0	18.9	7.3	2,896.0	631.0	3,095.1	959.3
PAE444X9X300X22	444	9	300	22	131.9	168.0	63,621.0	9,902.4	19.5	7.7	2,865.8	660.2	3,145.2	998.8
HEA500	490	12	300	23	155.0	197.5	86,970.0	10,370.0	21.0	7.2	3,550.0	691.1	3,813.7	1,052.4
PAE515X9X300X25	515	9	300	25	150.6	191.9	97,656.5	11,252.8	22.6	7.7	3,792.5	750.2	4,161.5	1,135.2
HEA550	540	13	300	24	166.0	211.8	111,900.0	10,820.0	23.0	7.1	4,146.0	721.0	4,471.7	1,100.8
PAE531X12X300X25	531	12	300	25	163.1	207.7	107,220.1	11,256.9	22.7	7.4	4,038.4	750.5	4,489.1	1,143.8
HEA600	590	13	300	25	178.0	226.0	141,200.0	11,270.0	25.0	7.1	4,787.0	751.4	5,185.2	1,149.6
PAE652X12X300X25	652	12	300	25	174.5	222.2	169,318.2	11,258.7	27.6	7.1	5,193.8	750.6	5,789.7	1,148.2



Nomenclatura

d: Altura total del perfil
tw: Ancho de los patines
tf: Espesor de los patines

TABLA DE PERFILES ARMADOS ESTRUMETAL

PAE CON PROPIEDADES MECANICAS EQUIVALENTES A LOS
PERFILES TIPO **HEB** - NORMA EUROPEA - Acero ASTM A572 Gr.50

PERFIL	d (mm)	tw (mm)	bf (mm)	tf (mm)	Peso (Kg/m)	As (cm ²)	Ix-x (cm ⁴)	Iy-y (cm ⁴)	rx (cm)	ry (cm)	Sx (cm ³)	Sy (cm ³)	Zx (cm ³)	Zy (cm ³)
HEB240	240	10	240	17	83.2	106.0	11,260.0	3,920.0	10.3	6.1	938.0	327.0	1,015.9	495.4
PAE237X9X239X19	237	9	239	19	85.4	108.7	11,408.7	4,324.3	10.2	6.3	962.8	361.9	1,079.0	547.3
HEB260	260	10	260	18	93.0	118.0	14,920.0	5,130.0	11.2	6.6	1,150.0	395.0	1,229.9	597.8
PAE254X8X265X19	254	8	265	19	92.6	118.0	14,605.0	5,894.0	11.1	7.1	1,150.0	444.8	1,276.5	671.0
HEB280	280	11	280	18	103.0	131.0	19,270.0	6,590.0	12.1	7.1	1,380.0	471.0	1,476.8	713.1
ARM277X8X299X19	277	8	299	19	104.2	132.7	19,851.8	8,465.8	12.2	8.0	1,433.3	566.3	1,579.9	853.6
HEB300	300	11	300	19	117.0	149.0	25,170.0	8,560.0	13.0	7.6	1,680.0	571.0	1,790.5	863.9
ARM338X9X299X19	338	9	299	19	110.4	140.6	30,964.4	8,466.6	14.8	7.8	1,832.2	566.3	2,014.7	856.0
HEB340	340	12	300	22	134.0	171.0	36,660.0	9,690.0	14.6	7.5	2,156.0	646.0	2,319.0	979.5
ARM344X12X299X22	344	12	299	22	131.5	167.6	36,854.7	9,805.6	14.8	7.6	2,142.7	655.9	2,388.1	995.5
HEB360	360	13	300	23	142.0	181.0	43,190.0	10,140.0	15.4	7.5	2,400.0	676.0	2,588.2	1,026.3
PAE386X12X300X22	386	12	300	22	135.8	173.0	47,777.1	9,904.9	16.6	7.6	2,475.5	660.3	2,753.3	1,003.6
HEB400	400	14	300	24	155.0	198.0	57,680.0	10,820.0	17.1	7.4	2,884.0	721.0	3,125.4	1,097.9
ARM450X12X299X25	450	12	299	25	155.0	197.5	73,986.5	11,143.6	19.4	7.5	3,288.3	745.4	3,656.9	1,133.4
HEB450	450	14	300	26	171.1	218.0	79,900.0	11,700.0	19.1	7.3	3,550.0	781.0	3,861.6	1,191.7
ARM450X12X342X25	450	12	342	25	171.9	219.0	83,706.3	16,673.1	19.6	8.7	3,720.3	975.0	4,113.8	1,478.0
HEB500	500	15	300	28	187.3	238.6	107,000.0	12,600.0	21.2	7.3	4,290.0	842.0	4,679.4	1,285.9
ARM515X12X342X25	515	12	342	25	178.0	226.8	112,786.3	16,674.1	22.3	8.6	4,380.0	975.1	4,838.2	1,480.3
HEB550	550	15	300	29	199.5	254.1	137,000.0	13,100.0	23.2	7.2	4,970.0	872.0	5,440.4	1,335.5
ARM545X12X299X32	545	12	299	32	195.5	249.1	137,191.8	14,263.4	23.5	7.6	5,034.6	954.1	5,602.5	1,449.7
HEB600	600	16	300	30	212.0	270.0	171,000.0	13,500.0	25.2	7.1	5,700.0	902.0	6,260.0	1,385.6
ARM666X12X299X32	666	12	299	32	206.9	263.6	214,275.8	14,265.1	28.5	7.4	6,434.7	954.2	7,153.3	1,454.0